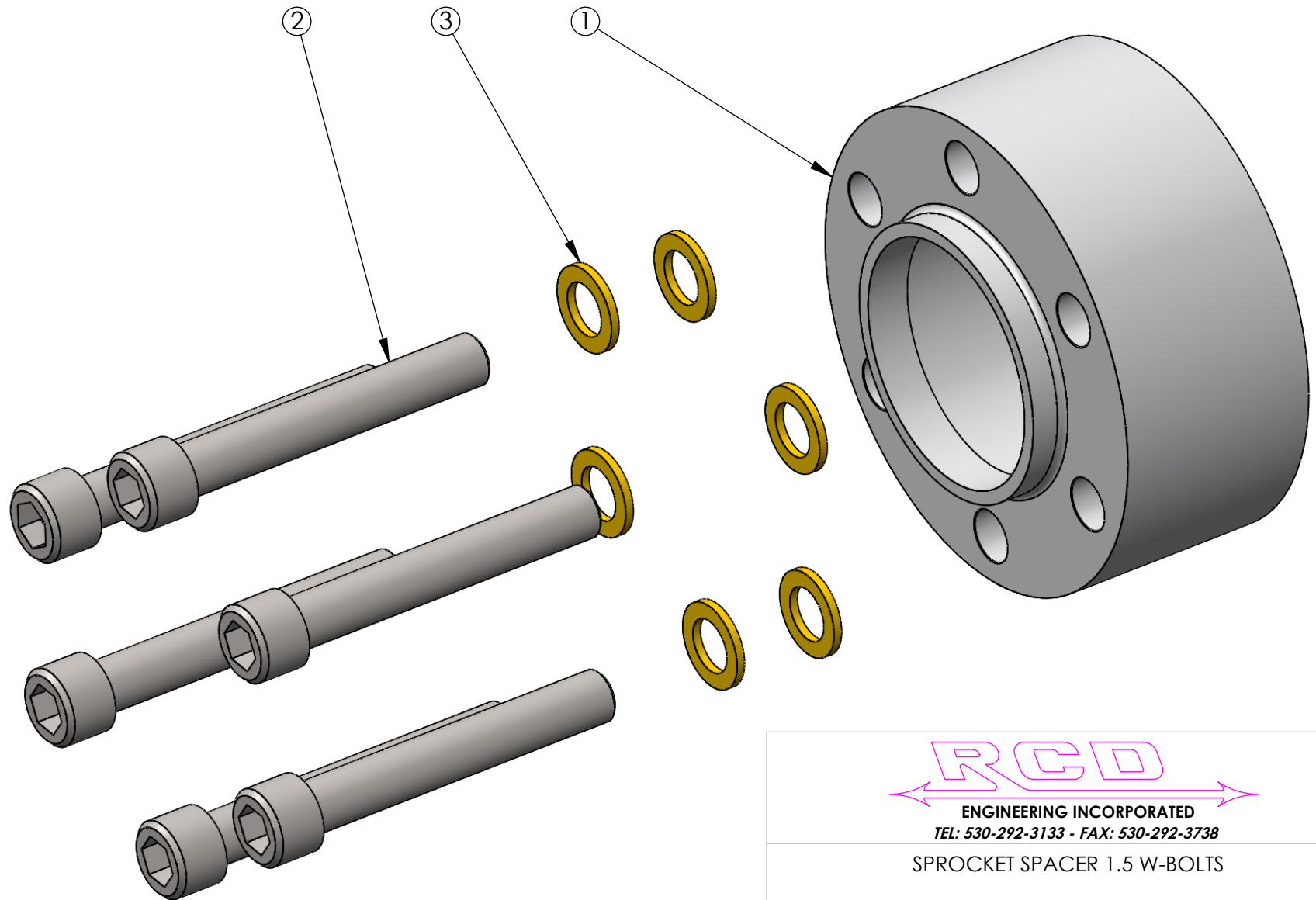


ITEM	PART NO.	DESCRIPTION	QTY.
1	151703-24	SPROCKET SPACER 1.5	1
2	357337-40	SHCS 3/8-24 x 2.50	6
3	352503-06	3/8 AN WASHER	6



RCD

ENGINEERING INCORPORATED

TEL: 530-292-3133 - FAX: 530-292-3738

SPROCKET SPACER 1.5 W-BOLTS

PART. NO. 151700-0024

A SHEET 1 OF 1